

Housing Devices, Inc.

ARCU-5 & ADA-1000

STANDARD FEATURES:

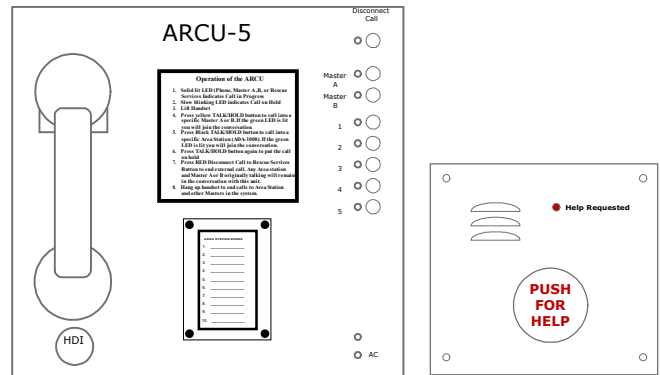
- Use with up to 10 ADA-1000 on the same phone line or Voip interface
- Photoluminescent (glow in the dark) instruction directory
- 10 Zone paper directory
- Tamper proof Hardware
- Engraved lettering not silk screened
- Brushed 16 ga. 304 #4 stainless steel face plate, stainless steel enclosure
- Coordinate and control in-building rescue in the event of an emergency
- Audible & Visual alert sounds when ADA-1000 places call until ADA-ARCU-10 joins conversation
- Full IBC, NFPA Life Safety 101, ADA, ASME A17, B44 Elevator Code compliance
- Engraved 3" PUSH FOR HELP BUTTON
- Duplex communication
- 4 hours of full operation & standby upon loss of power
- Momentary Dry Contact (ADA-1000)
- ADA Compliant Volume handset

DESCRIPTION:

The ADA ARCU-5 & ADA-1000 provides hands-free audio and visual alarms to users, Emergency Personnel, Offsite Communications & complies with the Americans with Disabilities Act. Installation is easily accomplished with connections to an analog telephone line or Voip Interface, AC power & the ADA-1000. In the event of a power failure the ADA ARCU-5 & The ADA-1000 each has an independent battery backup system.

OPTIONAL FEATURES:

- Flush or Surface mounting (ADA-1000)
- Engraved Braille Signs
- Illuminated Area of Refuge or Area of Rescue Assistance Signs with or without Battery Back-Up
- Photoluminescent Area or Refuge or Rescue Signage



Model ADA-ARCU-5 Dimensions:

11.68"W x 12.63"H x 1.73"D

Model ADA-1000 Dimensions:

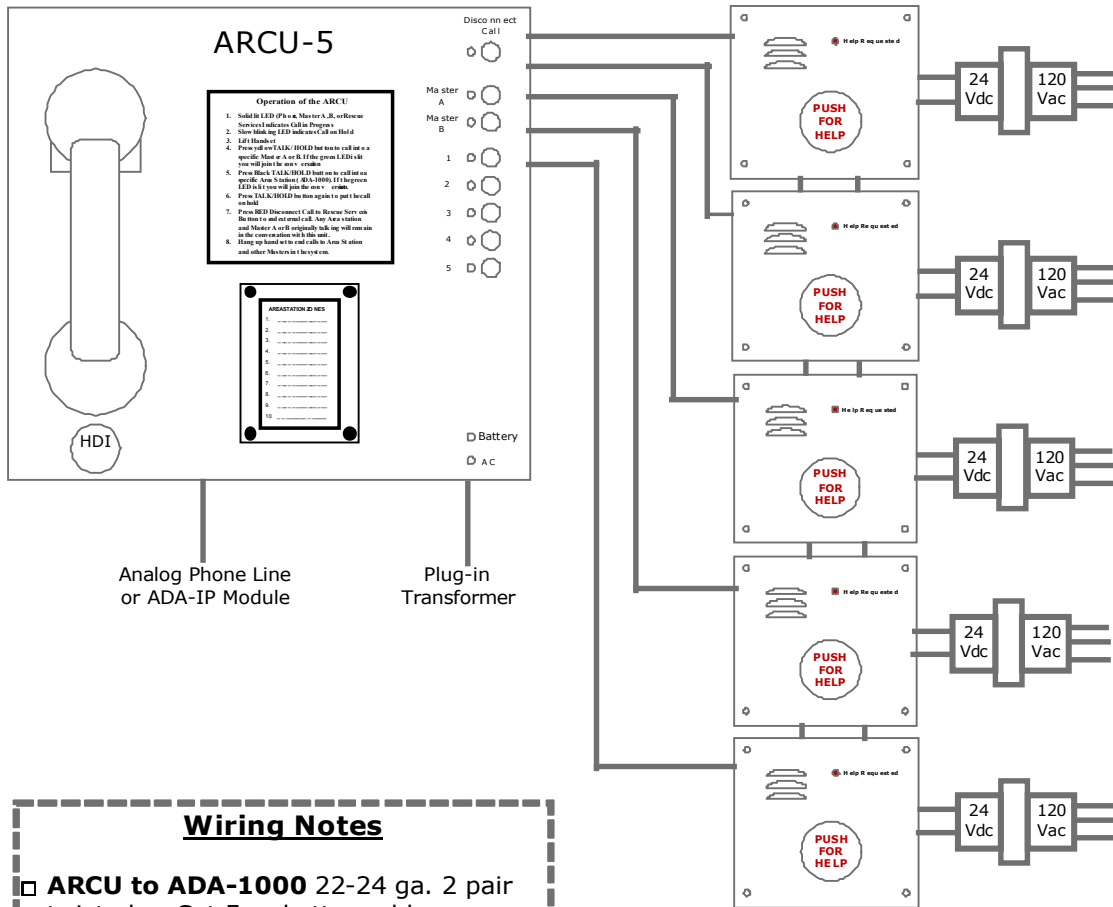
9"W x 9"H x Flush

9-1/4"W x 9-1/4"H x 2" Surface

SYSTEM OPERATION:

- All features of the ADA-1000 operate the standard way.
- The ADA-ARCU-5 allows emergency personnel to check the status of each zone and to talk with each ADA-1000 on an individual basis or all of them together.
- A lighted GREEN LED by Rescue Services indicates that an emergency call is in progress
- If an emergency call is in progress, by lifting the handset on the ADA-ARCU-5 unit you automatically join the conversation. At this point they can place any or all ADA-1000 on hold by pushing the Talk button a second time to that unit, this will leave them talking to the called party, or you can disconnect the called party by pressing the Disconnect Call, this will leave you talking to the ADA-1000. (zones)
- If there is no emergency call in progress you can call into any or all ADA-1000 by pressing the corresponding TALK button on the unit.

Wiring Diagram ARCU-5, ADA-1000 & Transformer



Wiring Notes

- ❑ **ARCU to ADA-1000** 22-24 ga. 2 pair twisted or Cat 5 or better cable.
- ❑ **Analog Phone line** 1 pair 24-26 ga. or Cat 5 or better cable.
- ❑ **ADA-IP Module** 1 pair 24-26 ga. or Cat 5 or better cable.
- ❑ **Plug-in Transformer** use supplied cable
- ❑ **Transformer to ADA-1000** connect 120Vac to the primary side of the transformer per local electrical codes and use 18 ga 1 pair twisted from the secondary side of the transformer.

Wiring Diagram ARCU-5, ADA-1000 & ACS-2000

