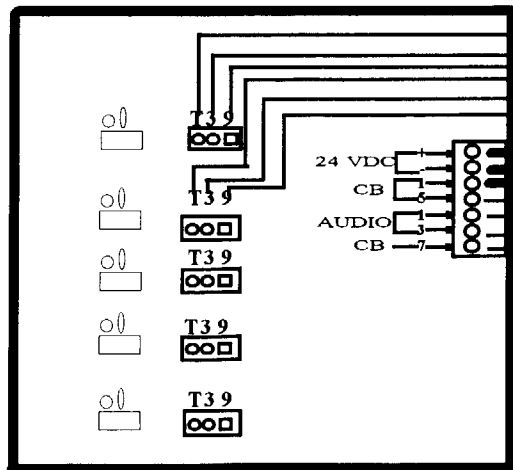


MASTER STATION - REAR ELEVATION

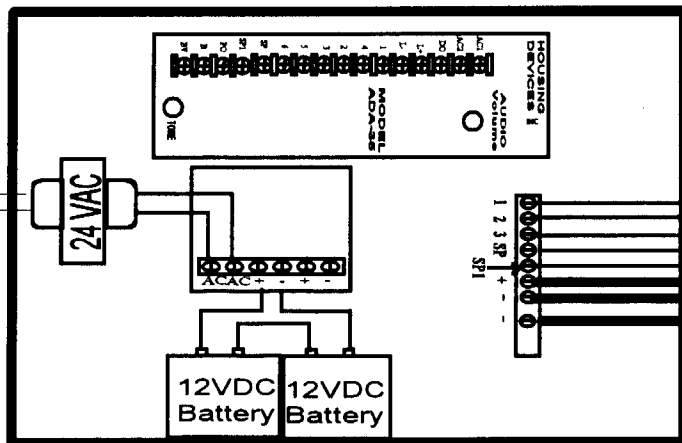
ADA 100 SYSTEM RISER DIAGRAM



Terminals "8" and "9"
Open Contact for optional relay K1
(2 Amps @ 30VDC)

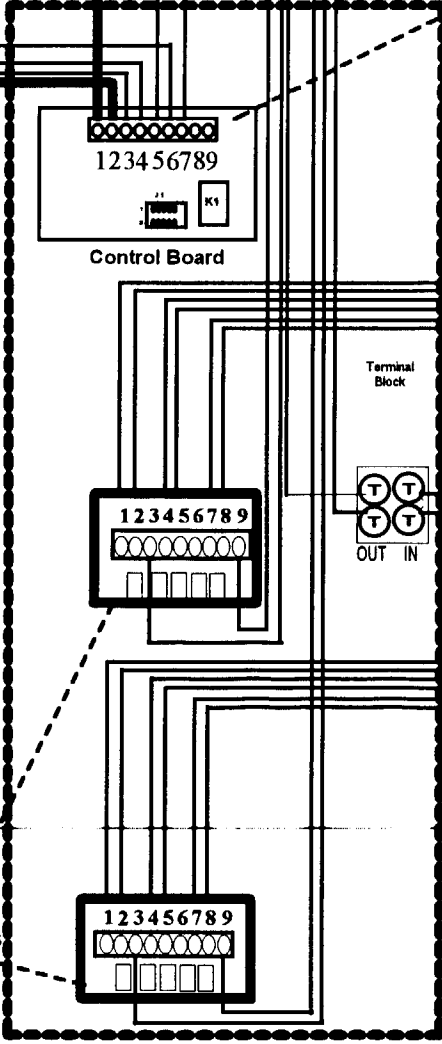
Note: Contacts "transfer" when
"PUSH FOR HELP" button is depressed

BATTERY BACKUP AND AMPLIFIER CABINET
PREWIRED AT FACTORY



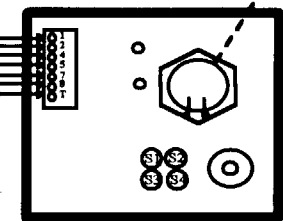
24 VDC 4 AMP HOUR

HEAVY BOLD WIRES
ARE POWER
CONDUCTORS



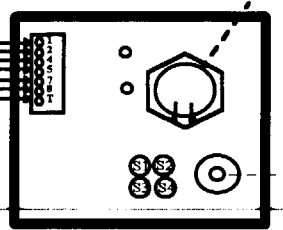
RELAY CARD CABINET
2 AREA STATION SYSTEM

AREA STATION
REAR ELEVATION 45 OHM SPEAKER



Wired at factory.
MUST USE with either
a Surface Mounting Collar or
Back Box (FLUSH mount)

AREA STATION
REAR ELEVATION 45 OHM SPEAKER



PIEZOELECTRIC
ALARM

SYSTEM RISER DIAGRAM ADA 100 EMERGENCY CALL SYSTEM		Page 1
Drawn: HDI	Date: 05/01/98	
No Scale		
HOUSING DEVICES, INC., MEDFORD, MA		