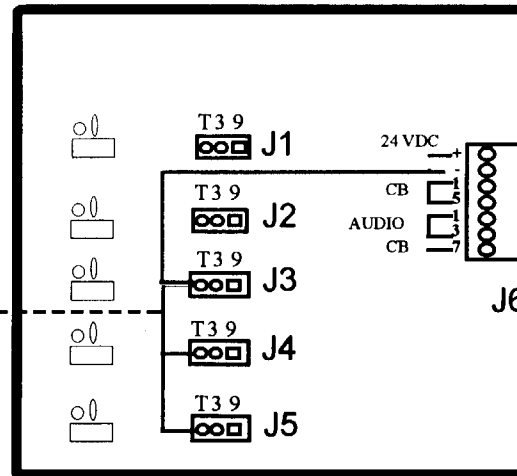


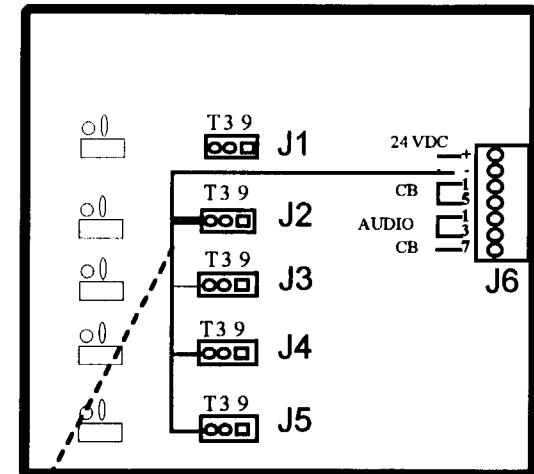
MASTER STATION EXPANSION HOOK UP DIRECTIONS

MASTER STATION - REAR ELEVATION



Two Area Stations Example

MASTER STATION - REAR ELEVATION



One Area Station Example

Jumpers to be removed
when adding Area Stations

Jumpers to be removed
when adding Area Stations

For each additional Area Station to be added to the system, it is necessary to:

- 1) Relocate the Jumper connected between Terminal Block J6 and J2 to the next open Area Terminal Block. Example:
From J2 to J3 for 2 Area Station Systems
From J3 to J4 for 3 Area Station Systems, etc.
- 2) Remove and discard the Jumper between the Area Station terminal blocks you wish to connect the additional Area Station to.

MASTER STATION EXPANSION DIAGRAM
ADA 100 EMERGENCY CALL SYSTEM

Page 2A

Drawn: HDI

Date: 5/01/98

No Scale

HOUSING DEVICES, INC., MEDFORD, MA