

# Housing Devices, Inc.

## ADA 100<sup>®</sup> Emergency Call System

### STANDARD FEATURES:

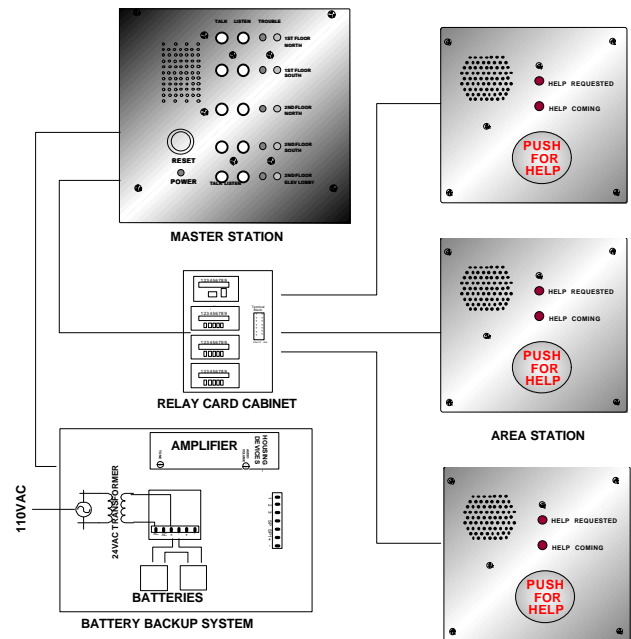
- Vandal Proof 16 gauge Stainless Steel Construction
- Area Station Supervision Circuits
- Large 3" "PUSH FOR HELP" Button
- Dual Audio & Visual Alarms for the Hearing and Visual Impaired
- Custom Engraved Area Station Location Labels
- Keyed Master Station Reset Switch
- Modular Design provides for any number of Areas Stations
- No Telephone Lines Needed

### OPTIONAL FEATURES:

- Recorded Voice Dialer or Pager Option
- UL Listed Battery Backup System
- Engraved Replaceable Directory
- Master Station Desktop Base
- 110 Candela Area Station Flashing Strobe Light
- Braille Instructional Signs (Stainless Steel Frame)
- Master and Area Stations available in Polished Solid Brass and Brushed Solid Brass Housings
- Weather Hood (Stainless Steel or Solid Brass)
- Illuminated Area of Rescue Assistance Signs (with Independent Battery Backup)
- Custom Sizes Available
- Multiple Master Stations

### DESCRIPTION:

The ADA 100 is a modular, hands-free Emergency Call System with dual audio and visual alarms and built-in supervision capabilities designed to comply with the Americans with Disabilities Act. It is fully expandable and may be used as an independent system (with its own battery backup system) or in conjunction with other annunciator or fire alarm systems.



### TYPICAL ADA 100 3 AREA STATION SYSTEM

#### SYSTEM OPERATION:

Depressing the "PUSH FOR HELP" button on an Area Station places the system in "HELP REQUESTED" mode, illuminates the "HELP REQUESTED" LED at the Area Station, a red LED at the Master Station (corresponding to that specific Area Station), and sounds the 90dbA piezoelectric alarms at both the Area and Master Stations. The security attendant presses the "TALK" button on the Master Station to acknowledge both the audio alarm and the illuminated red LED at the Master Station, which silences the audio alarms at both the Master and Area Station(s) and illuminates the "HELP COMING" LED light at the Area Station. This also enables two-way communication between the Master Station and the Area Station permitting the security attendant to converse with the individual requesting assistance. Turning the reset switch at the Master Station extinguishes the "HELP COMING" LED indicator at each Area Station, the red LEDs at the Master Station, and resets the system. The Master Station attendant using the "TALK" and "LISTEN" buttons labeled for each Area Station's location controls all conversations.

# ADA 100<sup>®</sup> EMERGENCY CALL SYSTEM

## COMPONENT DESCRIPTIONS

### MASTER STATION

The Master Station is the heart of the system from which all calls are controlled. It should be mounted in an appropriate and secure area typically adjacent to other security equipment.

The ADA-100 Master Station accommodates up to 60 Area Stations. Master Stations are available in the following sizes:

1- 5 Area Stations	6-10 Area Stations
11-15 Area Stations	16-20 Area Stations
21-25 Area Stations	26-30 Area Stations
31-35 Area Stations	36-40 Area Stations
41-45 Area Stations	46-50 Area Stations
51-55 Area Stations	56-60 Area Stations

The ADA-100 system can utilize multiple Master Stations to accommodate larger systems of any size. The Master Station also contains the system "Reset" key switch.

### AREA STATION

Area Stations are stainless steel vandal proof intercoms with piezoelectric alarms, red LED indicators, and a large 3" panic button labeled "PUSH FOR HELP". Area Stations should be mounted in areas where they are visible and easily accessible by anyone needing help.

### RELAY CARD CABINET

The standard size Relay Card Cabinet holds up to 10 Relay Cards. Each Relay Card provides the electronics support for one Area Station. Larger systems will use larger cabinets and more Relay Cards.

### RELAY CARD

The Relay Card is the electronic brain for each Area Station. One card is required for each Area Station used in the system. The Relay Card also contains a replaceable SCR chip.

### CONTROL BOARD

The Control Board, also located in the Relay Card Cabinet, provides electronic support for both the Master Station and all Area Stations.

### BATTERY BACKUP SYSTEM

The Battery Backup System provides continuous power to the ADA 100 system in the event of a power failure. The system features auto-resetting overload protection, visual AC and DC power indicators and built-in battery charger circuitry.

The system monitors for AC power failure, AC and DC surge suppression, and no/low battery indications. The system includes two (2) 12VDC sealed lead acid batteries (rated @ 4.5 amp hours each), a 1.0 amp battery charger capable of charging two internally mounted batteries in 12 hours, a 24VAC 20VA transformer, and has a continuous output of 800mA.

### AMPLIFIER

Located in the Amplifier Cabinet or Battery Backup System Cabinet, the Housing Devices, Inc. ADA-35 Amplifier processes the audio for the entire system.

### BRILLE INSTRUCTIONAL SIGN

The Braille Instructional Sign, captioned in both English and Braille, is placed next to each Area Station in the system and reads:

"FOR ASSISTANCE PUSH 3 INCH HELP BUTTON"

### ILLUMINATED AREA STATION SIGN

An optional illuminated sign is placed above each Area Station for easy visual identification of the Area Station's location.

## MOUNTING SYSTEMS & DIMENSIONS

Specify either a surface or flush mount installation for each Master Station and Area Station. Flush mounting is accomplished using a back box and surface mounting using a Surface Mounting Collar. Master Station back box dimensions are:

- 7 <sup>5</sup>/<sub>8</sub>" x 7 <sup>5</sup>/<sub>8</sub>" x 3 <sup>1</sup>/<sub>2</sub>" (1-5 Areas)
- 13 <sup>1</sup>/<sub>2</sub>" x 7 <sup>7</sup>/<sub>8</sub>" x 3 <sup>1</sup>/<sub>2</sub>" (6-10 Areas)

Larger systems have custom sized back boxes.\*

Area Station back box size is: 7 <sup>5</sup>/<sub>8</sub>" x 7 <sup>5</sup>/<sub>8</sub>" x 3 <sup>1</sup>/<sub>2</sub>".

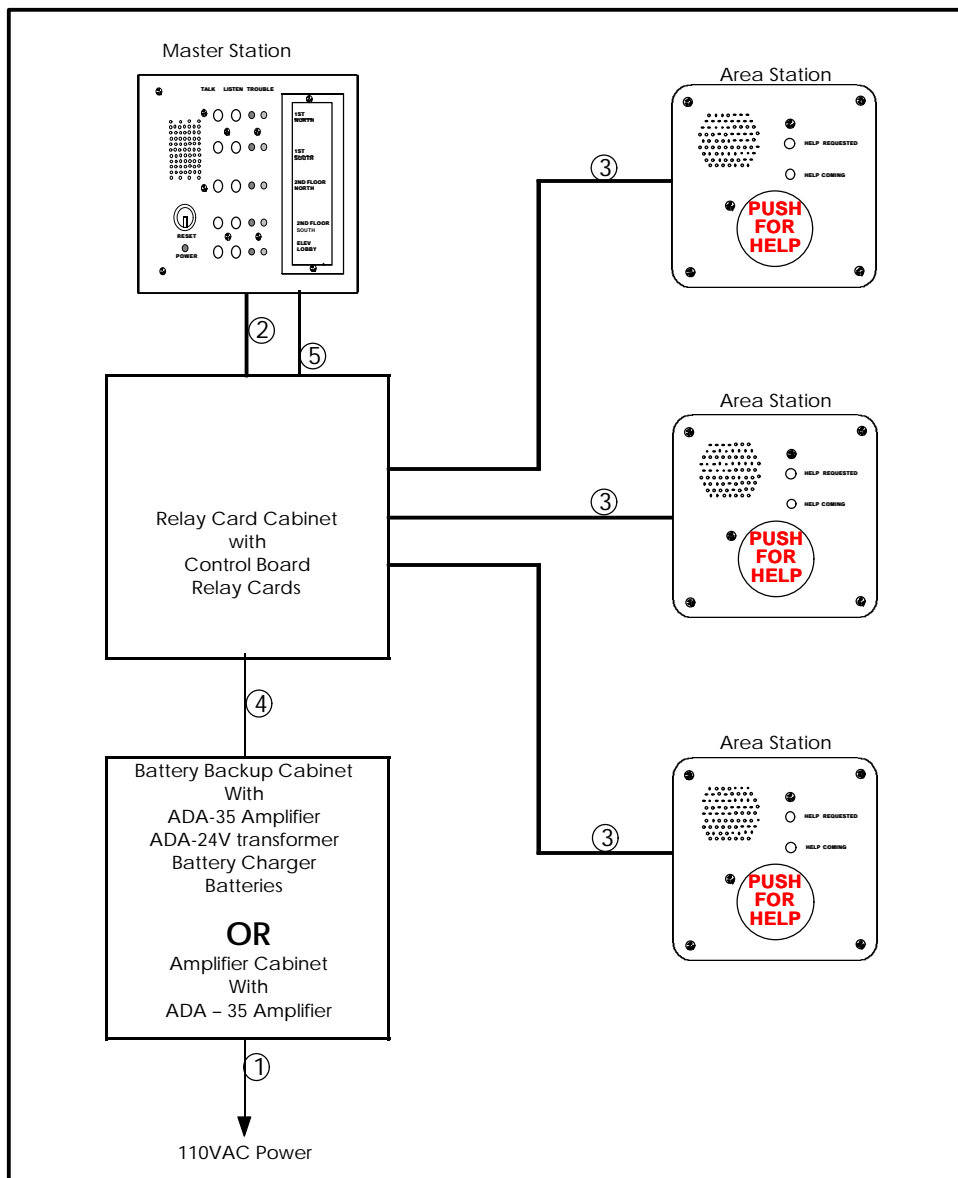
Surface Mounting Collar Dimensions are: 9 <sup>1</sup>/<sub>4</sub>" x 9 <sup>1</sup>/<sub>4</sub>" x 2" (Area Station); 11 <sup>1</sup>/<sub>4</sub>" x 11 <sup>1</sup>/<sub>4</sub>" x 2 <sup>1</sup>/<sub>4</sub>" (Master Station with 1-5 Areas); Larger Master Station Surface Mounting Collars are custom sized.\*

Relay Card Cabinets, Battery Backup and Amplifier Cabinets are 12" x 12" x 4" (10 Area Stations or less). Larger cabinets are required for systems with more than 10 Area Stations.\*

Master Stations can be custom sized to accommodate larger numbers of Area Stations. Specify engraving for the Master Station. Engraved directories will be used in lieu of surface engraving on the Master Station if the engraving is not specified at the time of order.

\* Contact manufacturer for dimensions.

# ADA 100<sup>®</sup> EMERGENCY CALL SYSTEM



## TYPICAL ADA<sup>®</sup> 100 3 AREA STATION SYSTEM

### WIRE & CABLE LEGEND

1. Three (3) #14AWG wires for 120VAC power from a dedicated emergency power branch circuit.
2. One (1) #18AWG 4 twisted pair overall shielded cable such as Belden 9554, West Penn 3753 or equal.
3. One (1) #18AWG 4 twisted pair overall shielded cable from each Area Station to the Relay Card Cabinet.
4. One (1) #18AWG 4 twisted pair overall shielded cable from the Battery Backup and Amplifier Cabinet to the Relay Card Cabinet.
5. Three (3) additional #18AWG conductors (shield not required) for each Area Station in the system.