

4-WIRE SUITE STATIONS



Mircom provides reliable and dependable access control for multi-unit apartments. The four wire simplex system is easy to install thus greatly reducing installation cost. Since the system doesn't use the public phone lines no monthly bills are incurred.

New or existing buildings can easily be adapted to Mircom's system since 4 wire are commonly used. Depending on installation, it may be possible to use the existing lobby panel. Contact our technical service department for details.

IS-489 Single Gang Suite Station

Surface mountable, IS-489 suite station is designed to mount onto standard single gang electrical boxes. Contemporary white finish styling, blends with modern suite interiors. Clear audibility is accomplished using a 2" speaker. P.C.B. mounted switches and terminals ensure solid connections.

Dimensions: 152mm(l) x 102mm(w) x 25mm(d)
(6.0(l) x 4.0(w) x 1.0(d))

Backbox: Standard Single Gang Box



IS-489-1 Four Button Station

Similar to the IS-489 with addition of one button. The additional button primary application is to call the central office or superintendent station.

Dimensions: 152mm(l) x 102mm(w) x 25mm(d)
(6.0"(l) x 4.0(w) x 1.0"(d))

Backbox: Standard Single Gang Box



IS-51-2 Economical Dual Gang Station

Rugged IS-51-2 suite stations are made from stainless steel and mount to the standard dual gang electrical boxes. All switches and speaker connections are printed circuit board mounted to ensure long term reliability.

Dimensions: 115mm(l) x 115mm(w)
(4.5"(l) x 4.5"(w))

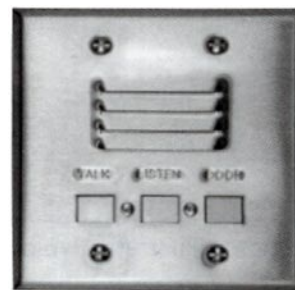
Backbox: Standard Dual Gang Electric Box



IS-401B Horizontal Suite Station

Low profile white suite stations house a 3.5" speaker. Station must be used with the IB-10A plaster ring or IB-2A Backbox.

Dimensions: 133mm(l) x 203mm(w) x 13mm(from wall surface)
Backbox: IB-2A Metal Backbox
IB-10A Plaster Ring

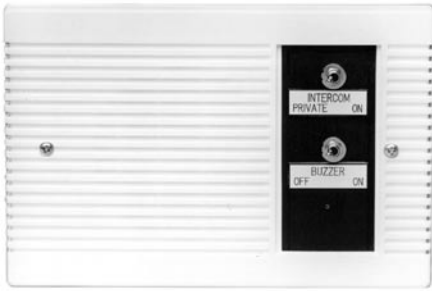


IS-51-3 Vandal Resistant Station

On the IS-51-3 suite station, all the push buttons are metal to withstand abuse. Similar to the IS-51-2 station all components are P.C.B. mounted.

Dimensions: 115mm(l) x 115mm(w)
(4.5"(l) x 4.5"(w))

Backbox: Standard Dual Gang Electric Box



IS-102 Office Station

Used in conjunction with the IS-489-1 suite station, the IS-102 provides office to tenant communication. The IS-102 Office Station has a neutral beige colour exterior. A "Private" switch prevents tenants from listening in. The "buzzer" switch disengages the call tone, outside office hours.

The IS-102 can be surface, flush or desk mounted using the IB-700 metal backbox, IB-10A plaster ring or the IB-300 desk cabinet respectively.

Dimensions: 205mm(l) x 135mm(w)
8 1/16"(w) x 5 5/16"(h)
Backbox: IB-2A Metal Backbox
IB-10A Plaster Ring

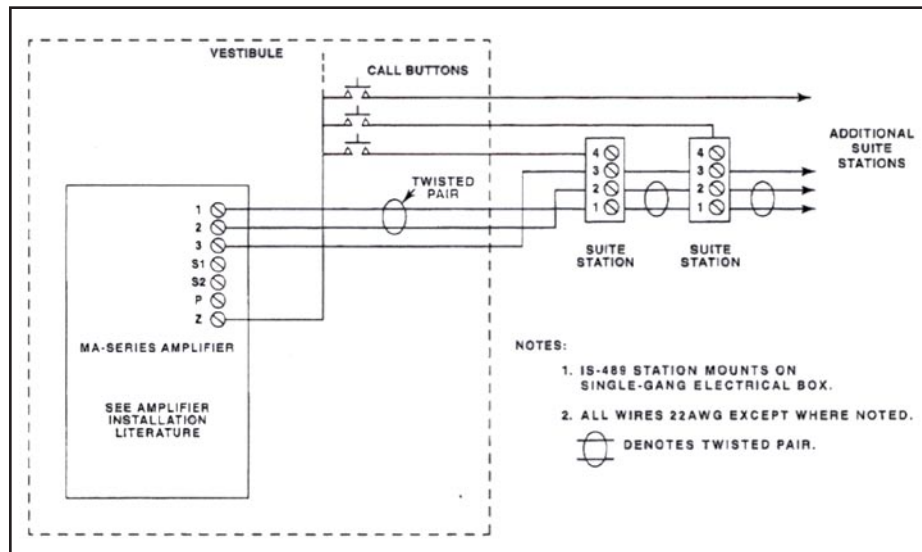


MA-485 Intercom Amplifier

The MA-485 amplifier provides audio amplification, control and power needed to operate an apartment intercom system. Extensive tests were performed to develop a reliable, long lasting intercom amplifier with precision amplifier circuits to provide crystal clear audio reception. Mircom's amplifier uses an automatic level control (ALC) circuit to ensure voice intelligibility. Built-in features include: timed door release silent door release and post office release.

Easy To Use:

A site station in each apartment allows the tenant to be called from and converse with the visitor in the vestibule. A visitor presses the appropriate call button to transmit a call tone through the suite station. The tenants answer the call by alternately pressing the 'Talk' and 'Listen' buttons to converse with the visitor. After verifying the visitor's identity, the tenant may admit the visitor by momentarily pressing the button marked "door" which triggers the electric door strike.



Wiring diagram shown illustrates typical single entrance application.

NOT TO BE USED FOR INSTALLATION PURPOSES.



Canada
25 Interchange Way
Vaughan, Ontario L4K 5W3
Telephone: (905) 660-4655
Fax: (905) 660-4113

U.S.A.
60 Industrial Parkway
Cheektowaga, NY 14227
Toll Free: (888) 660-4655
Fax Toll Free: (888) 660-4113

Distributed by:

