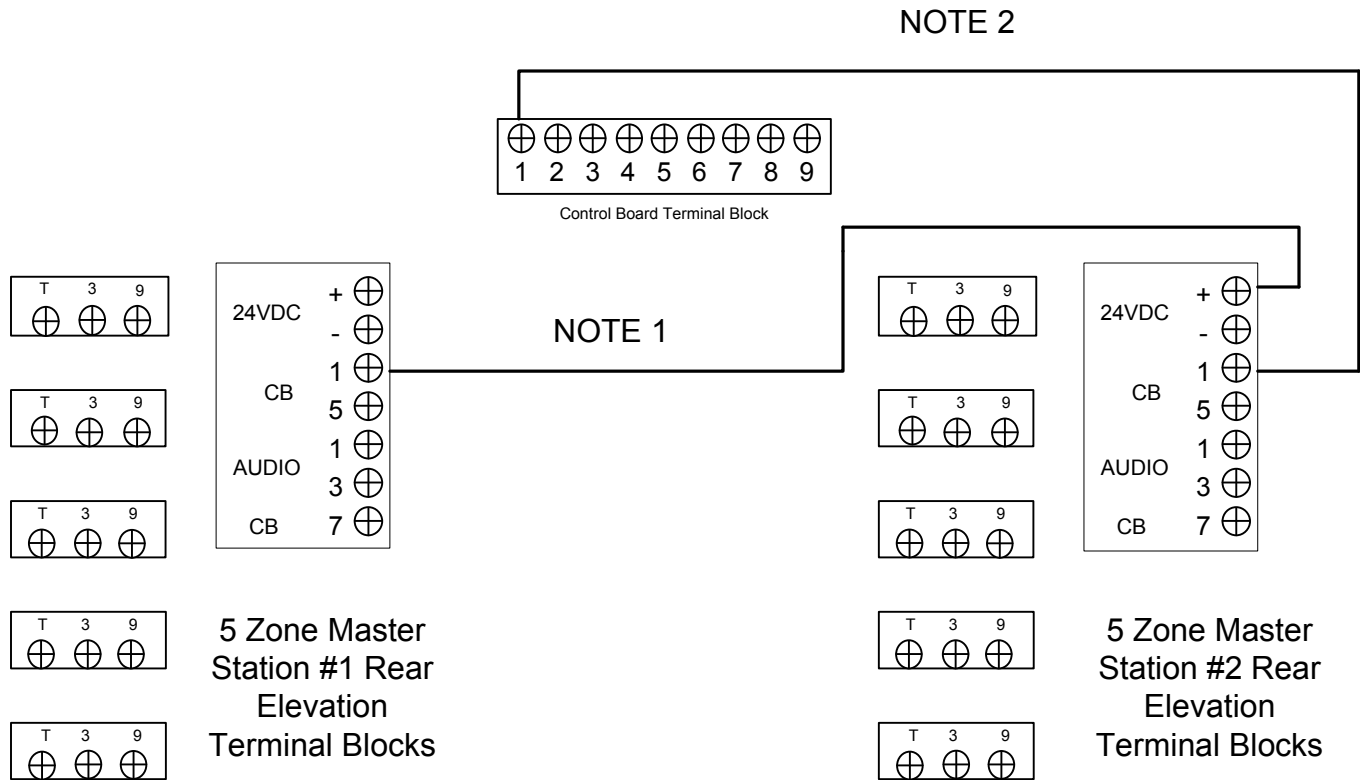


# ADA-100 Dual Master Riser Diagram



## ADA 100 Dual Master Station Wiring Directions

1. Wire Master 1 & Master 2 back to the Relay Card Cabinet per ADA-100 Master Station Riser Diagram in the wiring section of Installation & Operations Manual.
2. ALL wiring changes are done at the Relay Card Cabinet

**NOTE 1** Connect Terminal #3 (CB1) at Master Station 1 to Terminal #1 (24 VDC) on Master Station 2

**NOTE 2** Terminal #3 (CB1) from Master 2 connects to Control Board Terminal # 1 at the Relay Card Cabinet